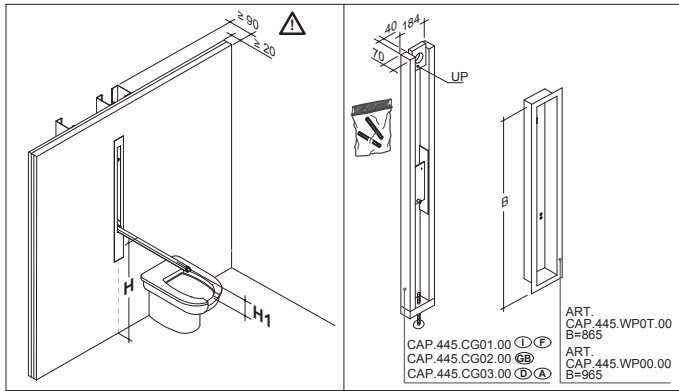
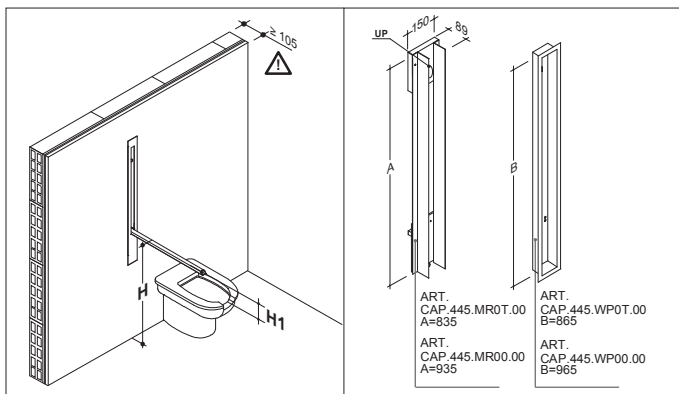
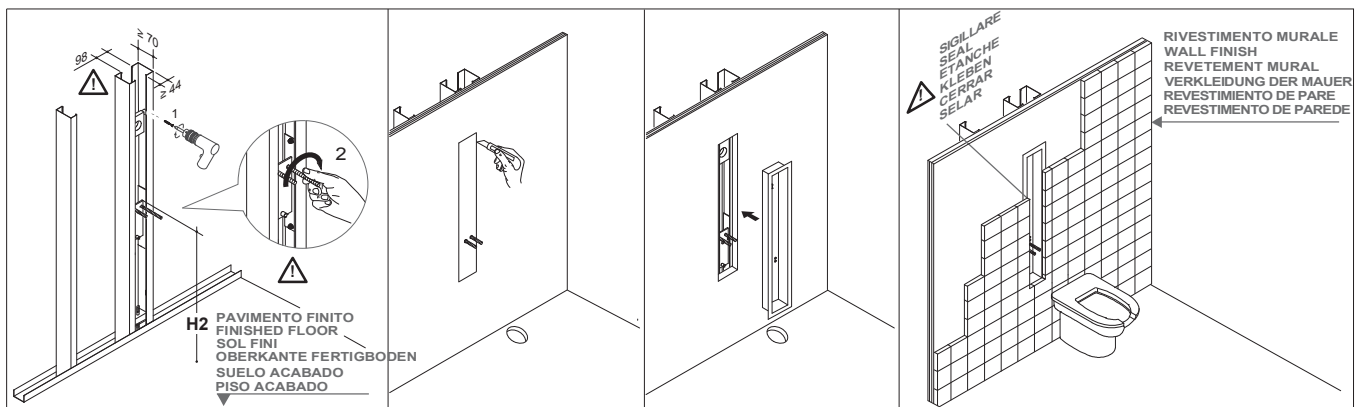


ART. CAP.445.000T - CAP.445.0000



CARTONGESSO - PLASTERBOARD - PLACOPLÂTRE - GIPSKARTON
PANEL DE YESO - PLACA DE GESSO

(D) DIN 18040-1, DIN 18040-2	H= 740/760	H1= 280	H2= 785/805
(I) DM 236 14/06/1989	H= 800	H1= -	H2= 845
(GB) APPROVED DOCUMENT M	H= 680	H1= -	H2= 725
(A) Ö - NORM B 16	H= 750	H1= -	H2= 795
(F) JORF n°195 (24/08/2006) Text 14 AFNOR NF P 99-611	H= 800	H1= -	H2= 845



MURATURA - BRICK WALLS - MAÇO
MAMPOSTERÍA - ALVENARIA

(D) DIN 18040-1, DIN 18040-2	H= 740/760	H1= 280	H2= 535/555
(I) DM 236 14/06/1989	H= 800	H1= -	H2= 595
(GB) APPROVED DOCUMENT M	H= 680	H1= -	H2= 475
(A) Ö - NORM B	H= 750	H1= -	H2= 545
(F) JORF n°195 (24/08/2006) Text 14 AFNOR NF P 99-611	H= 800	H1= -	H2= 595

